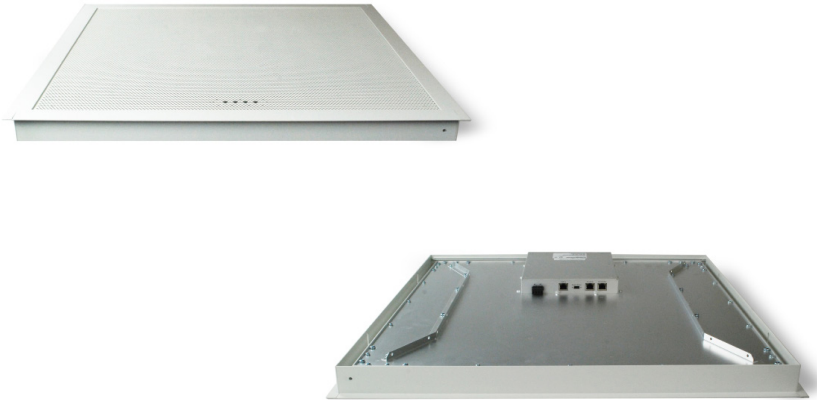
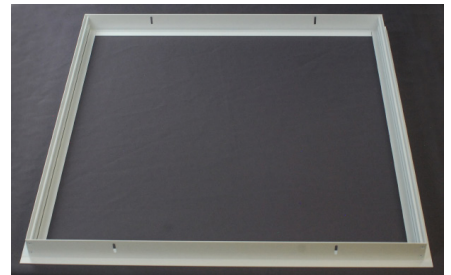
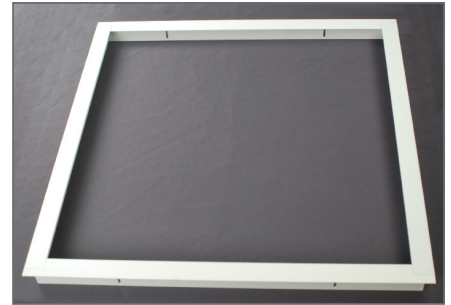


BMA RECESSED-MOUNT KIT



The BMA Recessed-Mount Kit allows for a flush-mount of a BMA in solid or non-dropped ceilings. The kit provides a professional, finished look when installed in a drywall ceiling. Easy to assemble, it fits the BMA CT and and BMA CTH. 24 inch and 600 mm models are available to accommodate local design standards.



> **Material**

- 6063-T5 Aluminum Alloy

> **Dimensions**

- 24 IN: 25.46 x 25.46 x 1.60 in
- 600 mm: 639 x 639 x 41.0 mm

> **Color**

- White

> **Components**

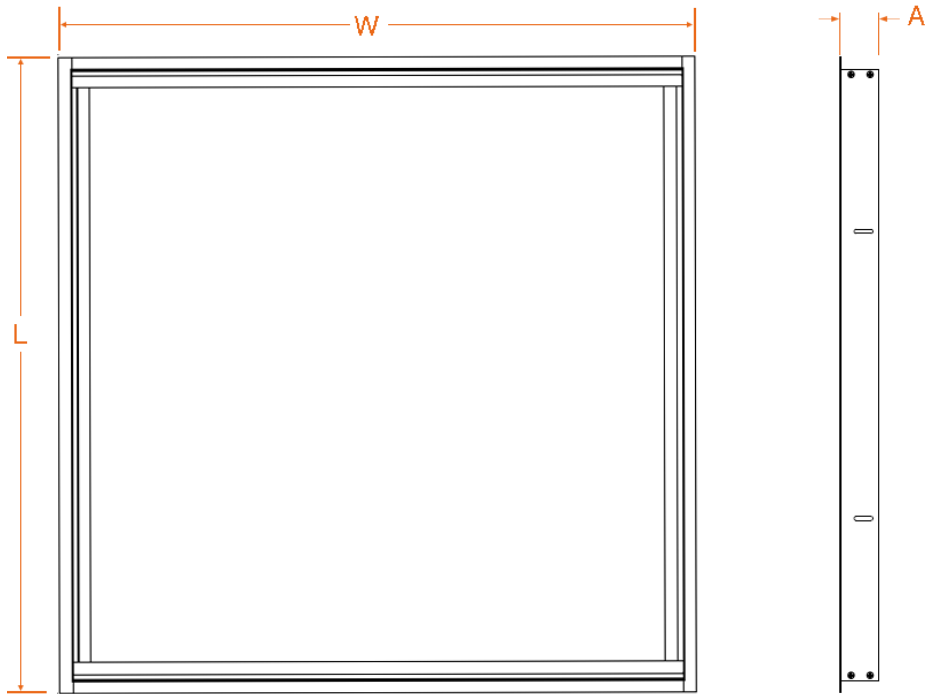
- Aluminum frame (4)
- Screws (8)

> **Part Numbers**

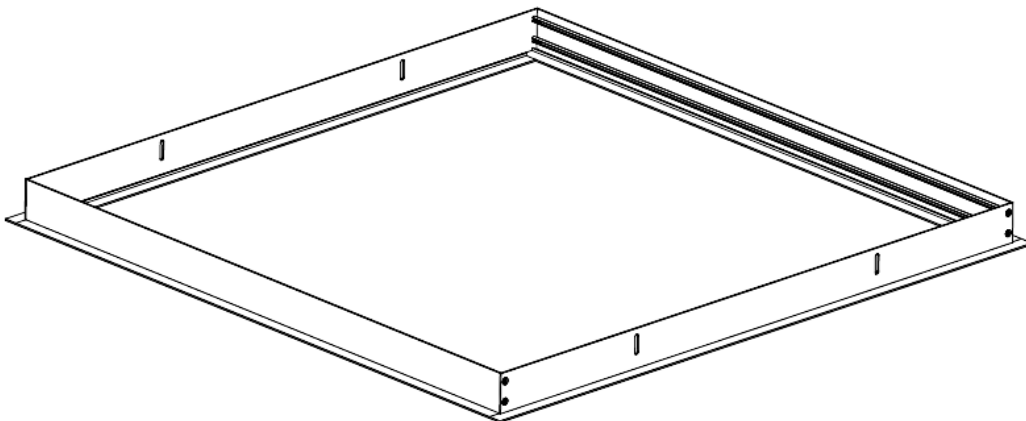
- 910-3200-212 BMA RECESSED MOUNT KIT 24 IN
- 910-3200-212-I BMA RECESSED MOUNT KIT 600MM

BMA RECESSED-MOUNT KIT

Dimensions



	Part Number	L	W	Rough-in Cut Out	A
24 IN	910-3200-212	25.46 in (646.8 mm)	25.46 in (646.8 mm)	24.88 x 24.88 in (632 x 632 mm)	1.61 in (41.0 mm)
600 MM	910-3200-212-I	639.0 mm (25.16 in)	639.0 mm (25.16 in)	625 x 625 mm (24.61 x 24.61 in)	41.0 mm (1.61 in)



BMA RECESSED-MOUNT KIT

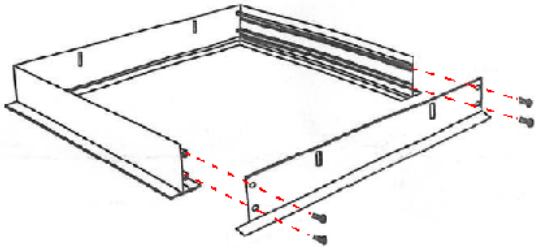
Installation

To install the recessed mount kit, assemble the frame, attach the frame to building structure, then place the BMA in the frame.

The instructions below explain two methods to attach the frame to building structure: cabling and wood blocking.

Assemble the Frame

With the M3.5X12 screws, attach the 4 frame pieces at each corner.



Important!

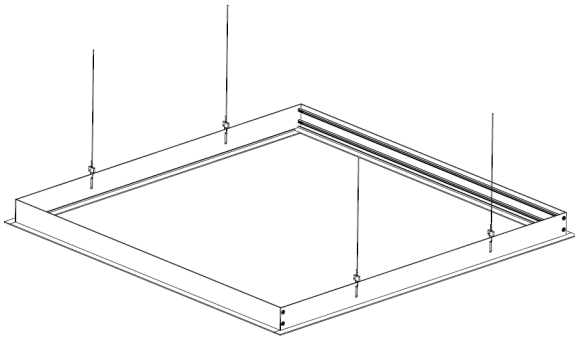
- Examine shipment and report damage to your transportation carrier.
- Install in accordance with all applicable national and local codes.
- Ensure that power is off before you start installation.

Included Components:

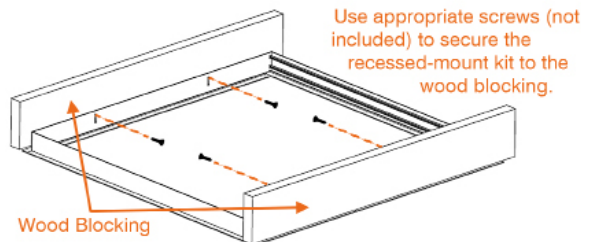
- Frame piece with holes (2)
- Frame piece w/o holes (2)
- M3.5X12 self-tapping screw (8)

Attach the Frame to Building Structure

With Cabling



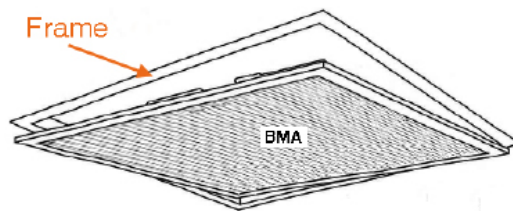
With Wood Blocking



Warning! Wood blocking must be independently supported by building structure.

Place the BMA in the Frame

Lift the BMA into the inside of the frame and place it so it rests on the recessed edges of the frame.



SALES AND INQUIRIES

Headquarters

5225 Wiley Post Way
Suite 500
Salt Lake City, UT 84116

US & Canada

Tel: 801.975.7200
Fax: 801.303.5711

International

Tel: +1.801.975.7200
global@clearone.com

Sales

Tel: 801.975.7200
sales@clearone.com

Tech Support

Tel: 801.974.3760
techsupport@clearone.com